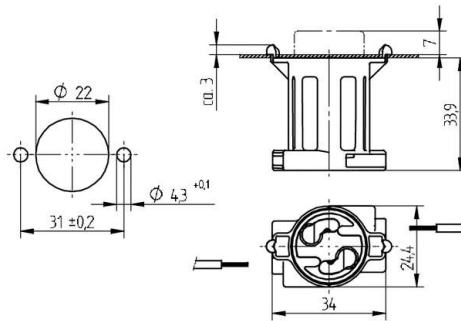
 Create pdf

Lampholders and starter holders

26.514.5026

Starter holders






colour	pkg.	wt.	part no.
white	500	5 g	26.514.5026.50

Approval: additional cULus (660W /250V)

Snap in pins at top

Housing: PC

- With integral spacer

T 100		 18 AWG 0.5 - 1.0 mm ²	 0.5 - 1.1
-------	---	--	--

Document generated on: Mo, 6. February 2017 - 11:25